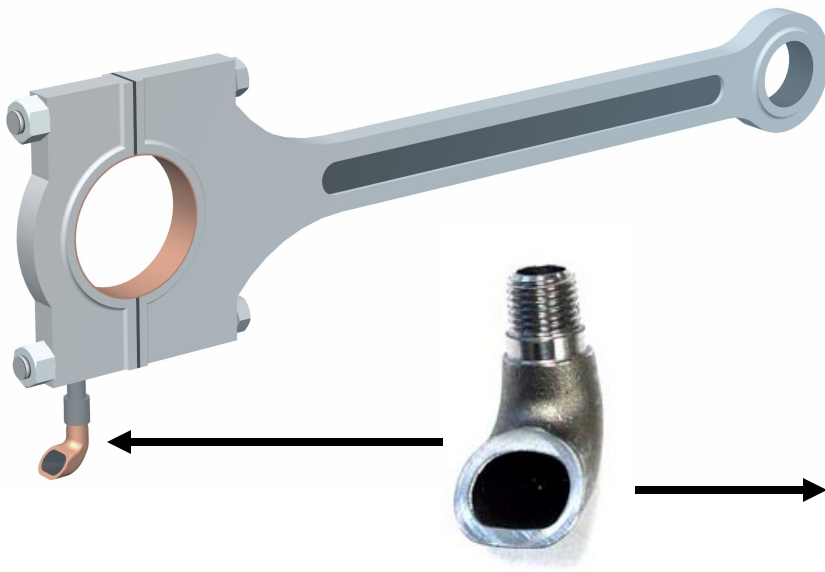


# Replacement Oil Dippers

## Introducing ACI EnviroLine® Replacement Oil Dippers! Upgrade For Splash Lubricated Compressors Ajax, I-R, Penn, Worthington & Many Others

ACI EnviroLine® Replacement oil dippers provide a robust replacement and upgraded alternative for old-style splash lubricated compressors and engines. With this type of lubrication, the oil dippers are a critically important, but often overlooked, component. For many models, OEM parts are no longer available. Some have been replaced with an assortment of tubes, street elbows and other variations that may or may not provide adequate lubrication to the bearings. Most of the original dippers were made from low-strength brass or bronze casting, which tend to break off and fall into the crankcase over time.

ACI has a better solution with replacement oil dippers that are machined from hi-quality ASTM A216 Grade WCB steel castings. Standard pipe connections are 1/4" M-NPT. The shape is carefully designed to "scoop" oil into the dipper during each crankshaft revolution, so that it can be "pumped", by inertia forces, into the internal oil galleries of the connecting rod and bearing. When this is the only source of lubrication for critical bearings and journals, it's not wise to take a chance with "cobbled-up" alternatives. Reasonably priced standard 1/4" steel dippers are available from stock at ACI Services. Custom designs are also available to suit any compressor or application.



*Actual Size*

- **High Quality**
- **Cast Steel—ASTM A216 Gr. WCB**
- **1/4" M-NPT Standard**
- **Custom Designs Also Available**



The Science of Compliance

125 Steubenville Ave. • Cambridge, Ohio 43725

Phone: (740) 435-0240 • Fax: (740) 435-0260

Visit our websites: [www.ACIServicesInc.com](http://www.ACIServicesInc.com)

[www.CompressorConnection.com](http://www.CompressorConnection.com)